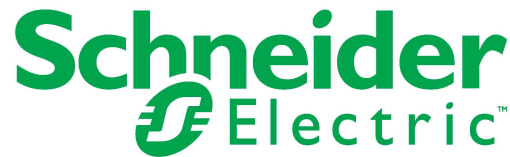
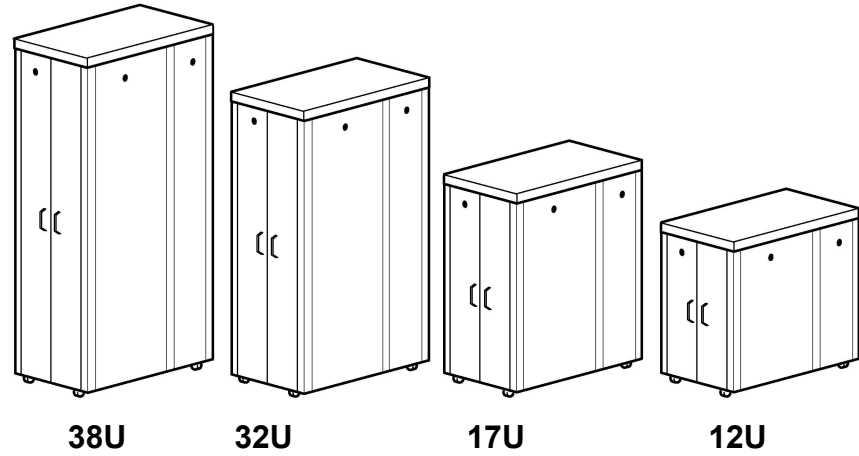




NetShelter[®] Soundproof Rack

Guide for Receiving, Unpacking, and Moving



IMPORTANT SAFETY INSTRUCTIONS

⚠ WARNING

HEAVY EQUIPMENT/TIP HAZARD

- The rack is easily tipped. Use caution when unpacking or moving.
- At least two people are required to unpack the rack.
- Use a pallet jack or forklift to move the rack while it is still on its shipping pallet.
- Make sure the leveling feet are up and push the rack only from the front or rear when moving it on its casters. Never push the rack from the sides.
- Wear appropriate personal protective equipment (PPE) and follow safe work practices.

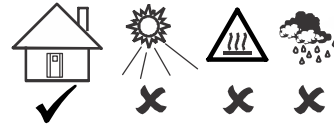
Failure to follow these instructions can result in death or serious injury.

Receiving



- Before unpacking the shipment, carefully inspect the exterior of the shipment immediately upon receipt.
- Once you have unpacked the rack, carefully inspect it for visible signs of shipping damage.
- If you detect shipping damage, contact your shipping company and APC Customer Support at www.apc.com.

Storage



NOTICE

Store the rack indoors in a temperature controlled environment.

Tools Required (not provided)

Box Cutter	T-30 Torx Screwdriver	19-mm open-ended wrench
Level	Socket Wrench, 13 mm socket	

Move the Rack

Use a forklift or pallet jack and move the rack while still on its pallet whenever possible.

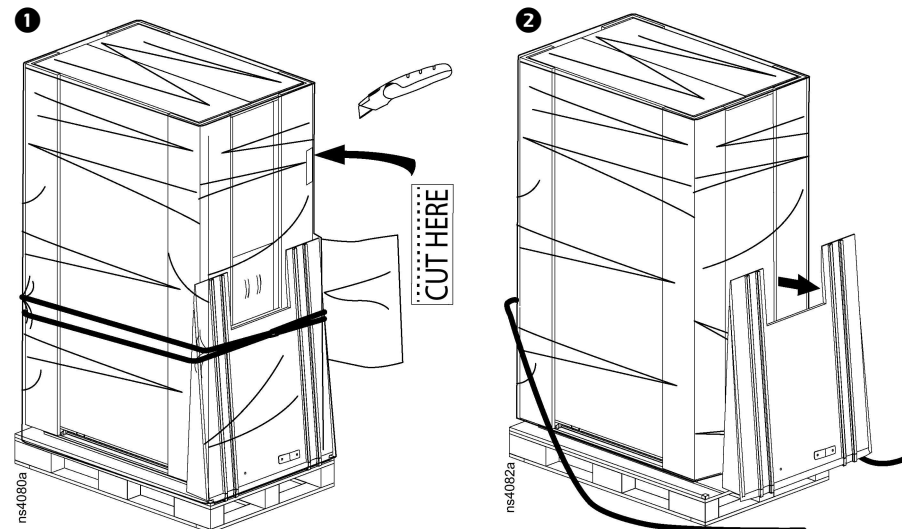
Forklift	Pallet Jack

Unpacking 32U and 38U Racks

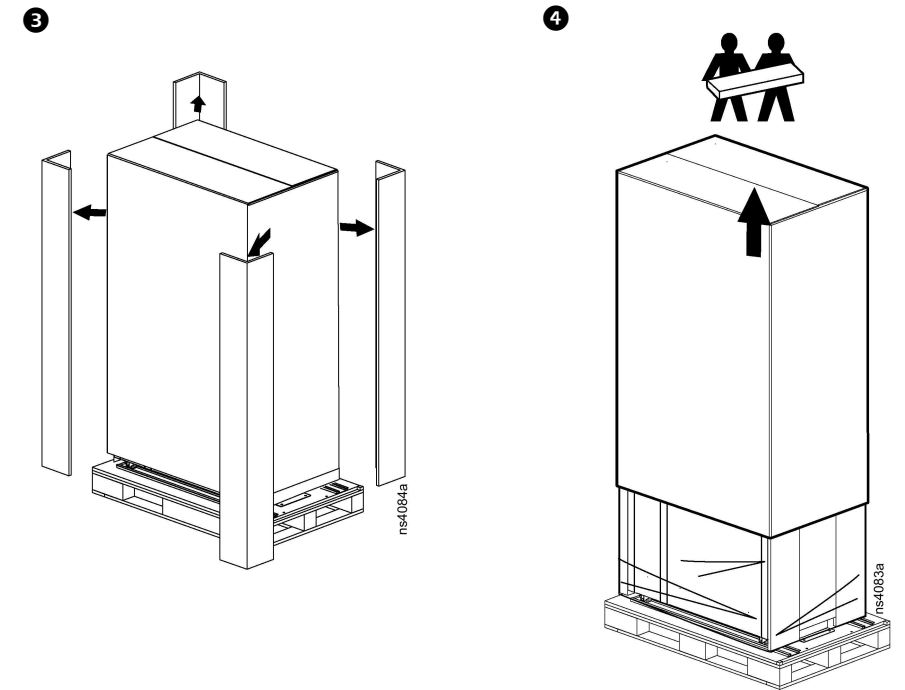


The shipping materials are recyclable. Save them for later use, or dispose of them appropriately.

1. Cut the plastic outer cover at the **CUT HERE** label and remove the plastic wrap.
2. Remove the strap securing the ramp to the rack and remove the ramp. Set the ramp aside for installation at step 9.



3. Once the plastic wrap has been removed, the foam corner protectors can be removed.
4. Lift the cardboard box up to remove it. Two people are recommended for this task.



5/2023

990-900012

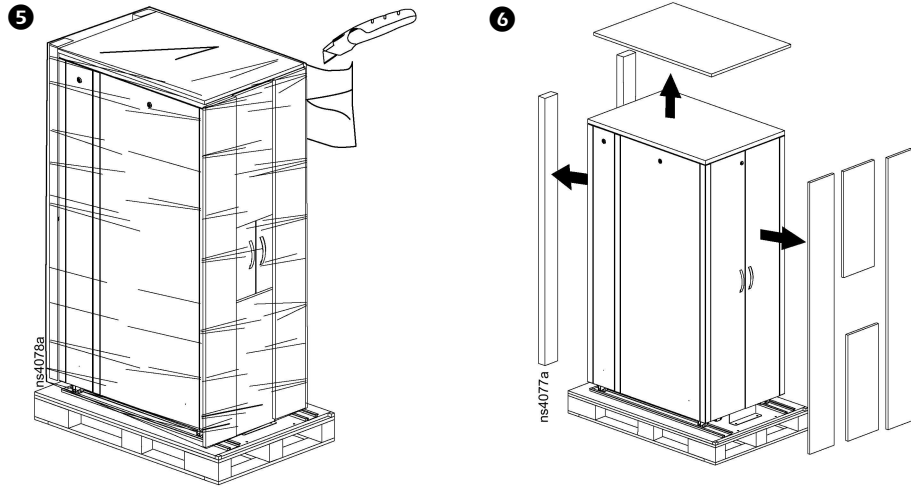
© 2023 Schneider Electric. All rights reserved.

Customer support and warranty information is available at www.apc.com

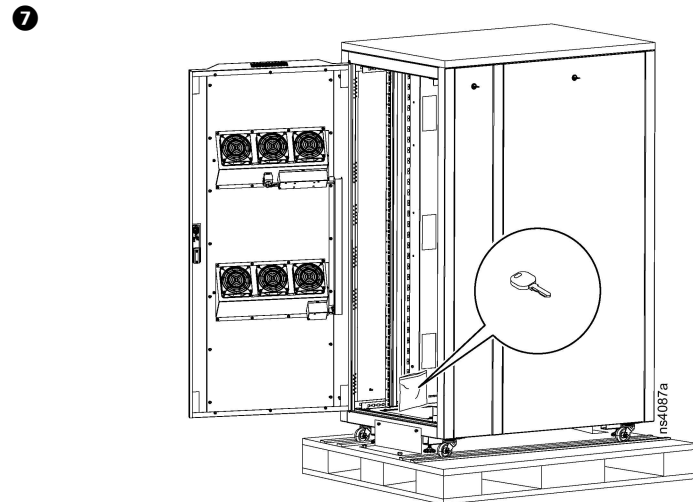
Worldwide Customer Support

5. Remove the plastic wrap securing the foam panels to the rack. Cut in the same area as when removing the first layer of plastic.

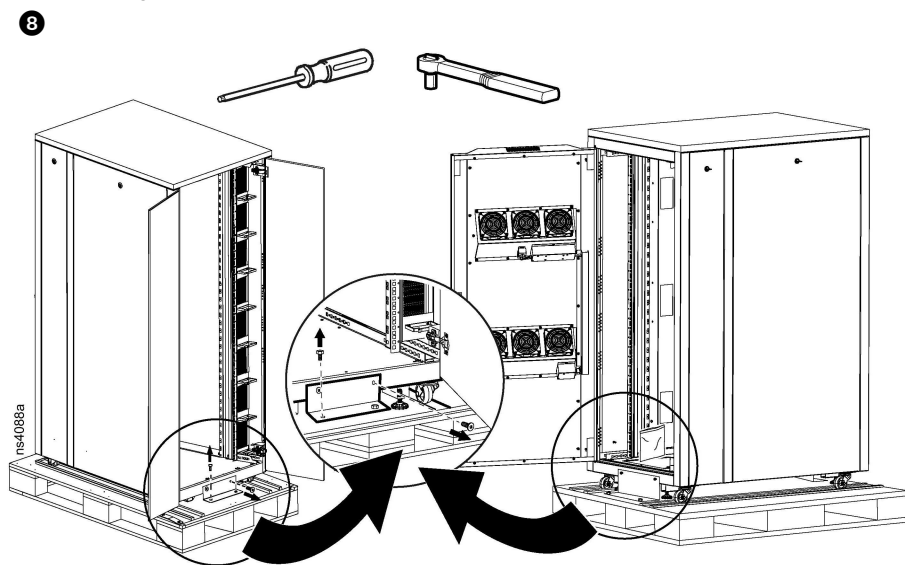
6. Remove the foam panels.



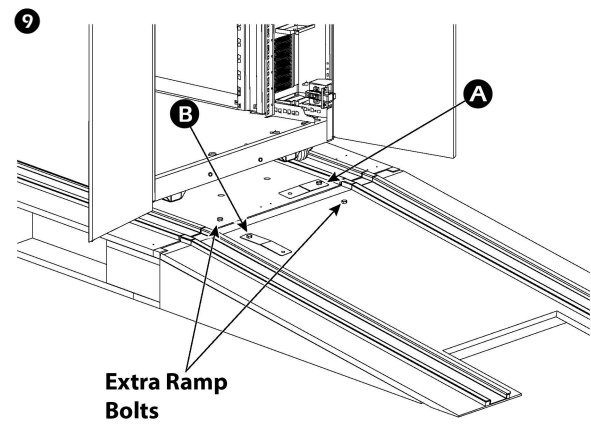
7. The rear door is unlocked. Open it and remove the front door key from the hardware bag.



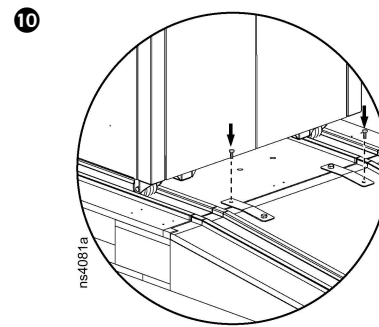
8. Unlock and open the front doors. Remove the two (2) T-30 Torx screws securing each bracket (front and rear) to the rack. Use a 13 mm socket to remove the two (2) 10 x 20 bolts securing each bracket to the pallet.



9. Remove the bolt securing the ramp bracket (A) attached to the pallet. Remove the bolt securing the second ramp bracket (B) which is installed on the ramp. Extra ramp bolts are provided on the pallet and ramp.



10. Close the doors. Secure the ramp to the pallet using the brackets and provided bolts.



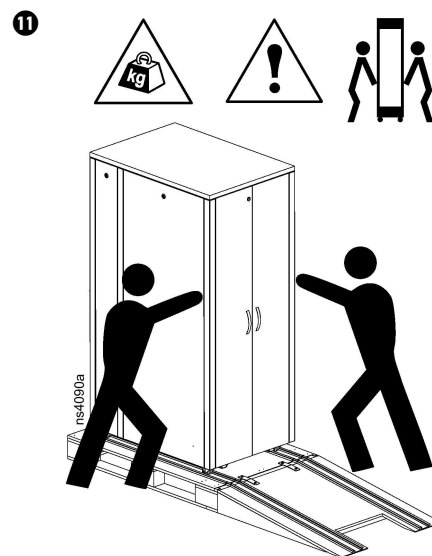
⚠ WARNING

HEAVY EQUIPMENT/TIP HAZARD

- The rack is easily tipped. Use caution when unpacking or moving.
- At least two people are required to unpack the rack.
- Make sure the leveling feet are up and push the rack only from the front or rear when moving it on its casters. Never push the rack from the sides.
- Wear appropriate personal protective equipment (PPE) and follow safe work practices.

Failure to follow these instructions can result in death or serious injury.

11. Use at least two people to roll the rack down the ramp.

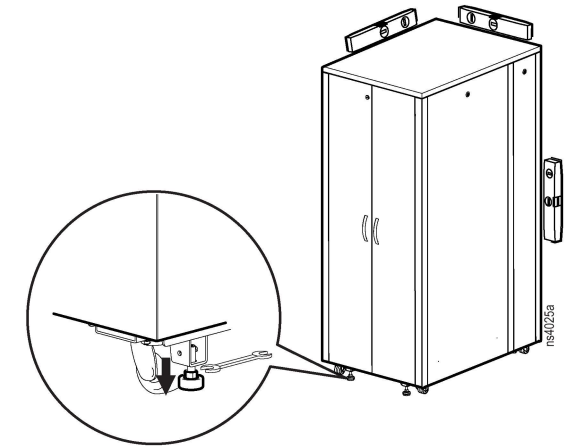


Level the Rack

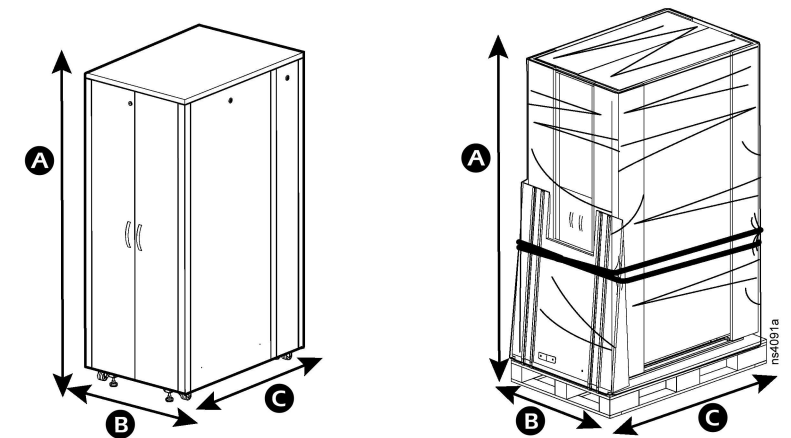
NOTICE

Install the rack on a relatively flat surface. An uneven floor may cause stability issues. The leveling feet are limited in the extent they can compensate for an uneven floor.

Lower the leveling feet with a 19-mm open-ended wrench and use a level to ensure the rack is level and plumb.



Specifications

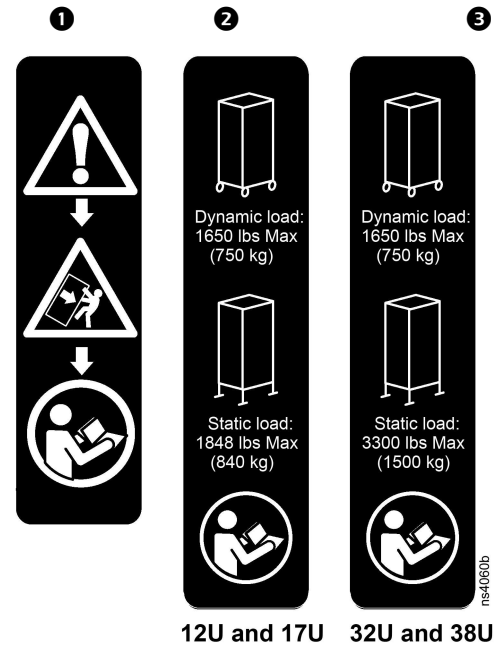


	AR4032A, AR4032IA	AR4038LA, AR4038LIA
A Height - mm (in) Rack only Rack With Packaging	1666 (65.5) 1787 (70.35)	1937 (76.25) 2180 (85.82)
B Width - mm (in) Rack only Rack With Packaging	750 (29.52) 850 (33.46)	
C Depth - mm (in) Rack only Rack With Packaging	1130 (44.48) 1250 (49.21)	
Weight - kg (lb) Rack only Rack With Packaging	216 (476.19) 260 (573.2)	259 (570.9) 303 (668)
Compliance Safety verification Environmental	UL 2416, UL 62368, EMC, FCC/ICES RoHS and Reach	

Labels for All Models

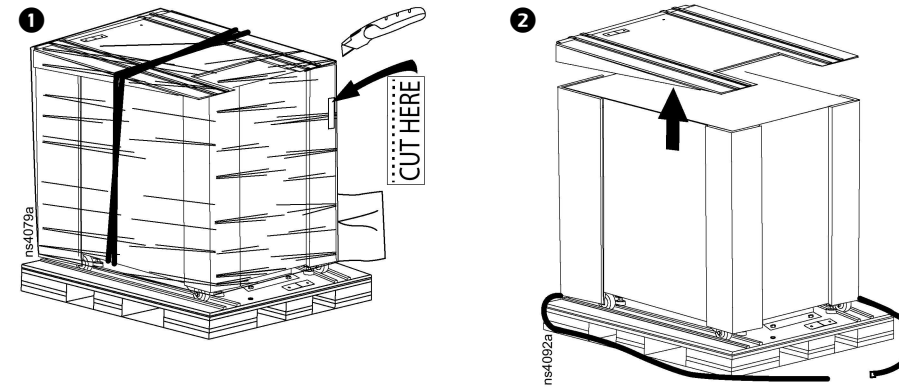
Observe the labels on the rack.

- 1 Generic tip hazard notification. Be sure to read all of the instructions for the equipment.
- 2 Only one shelf or piece of equipment on sliding rails should be extended at a time.
- 3 Observe the load restrictions for the rack. Dynamic load is the maximum load for moving the rack on its casters. The Static load is the maximum load for the rack while the unit is resting on its leveling feet.

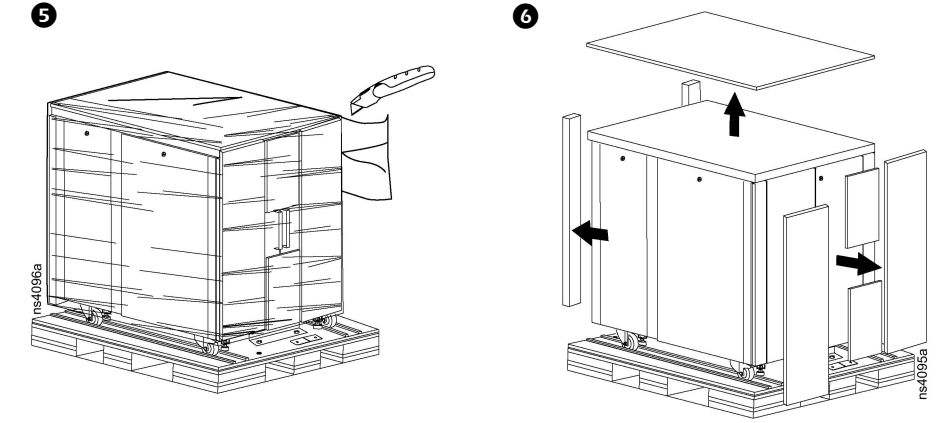


Unpacking 12U and 17U Racks

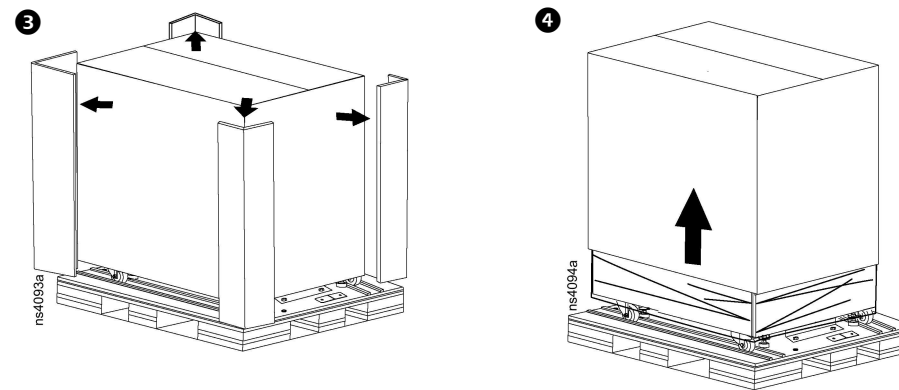
1. Cut the plastic outer cover at the **CUT HERE** label and remove the plastic wrap.
2. Remove the strap securing the ramp to the rack and remove the ramp. Set the ramp aside for installation at step 9.



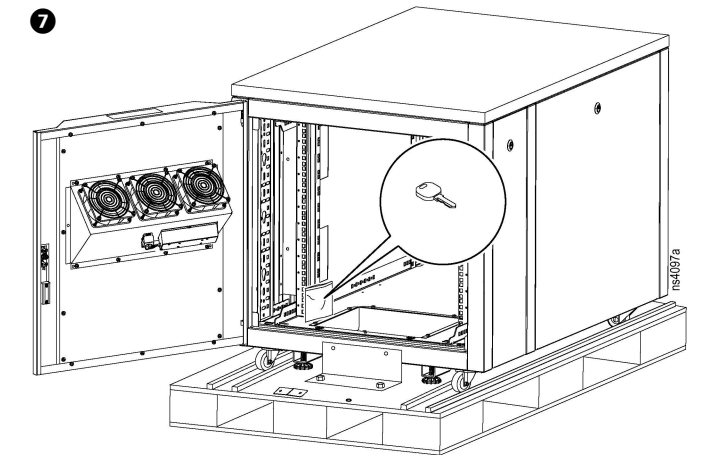
5. Remove the plastic wrap securing the foam panels to the rack. Cut in the same area as when removing the first layer of plastic.
6. Remove the foam panels.



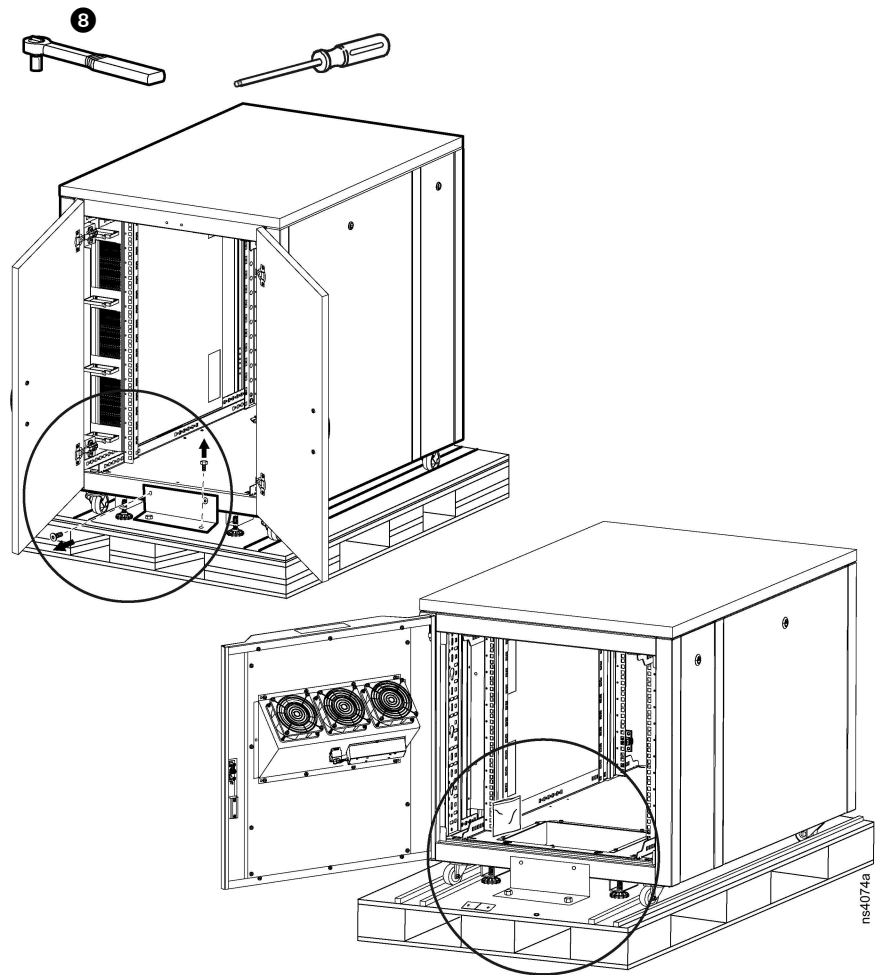
3. Once the plastic wrap has been removed, the foam corner protectors can be removed.
4. Lift the cardboard box up to remove it.



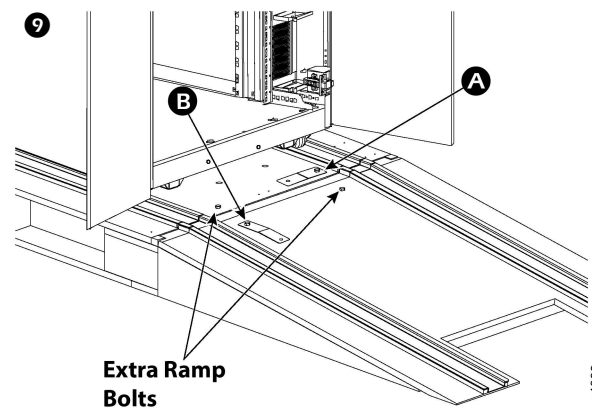
7. The rear door is unlocked. Open it and remove the key from the hardware bag.



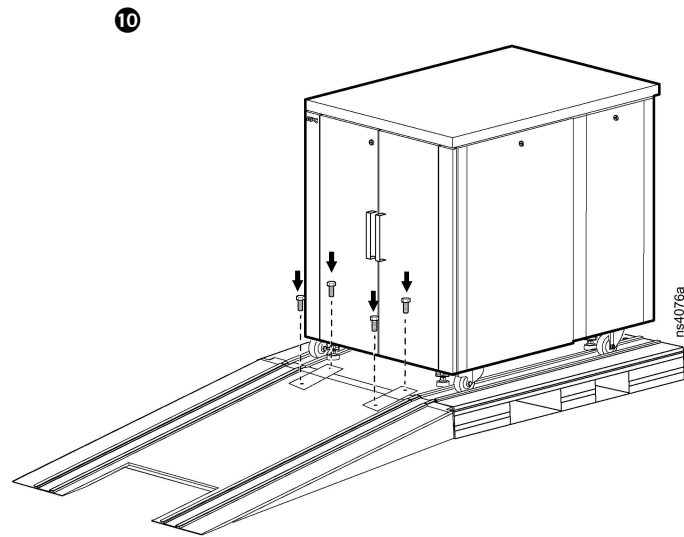
8. Unlock and open the front door. Remove the two (2) T-30 Torx screws securing each bracket to the rack. Use a 13 mm socket (not provided) to remove the two (2) 10 x 20 bolts securing each bracket (front and rear) to the pallet.



9. Remove the bolt securing the ramp bracket (A) attached to the pallet. Remove the bolt securing the second ramp bracket (B) which is installed on the ramp. Extra ramp bolts are provided on the pallet and ramp.



10. Close the doors. Secure the ramp brackets to the ramp and pallet using the provided bolts.



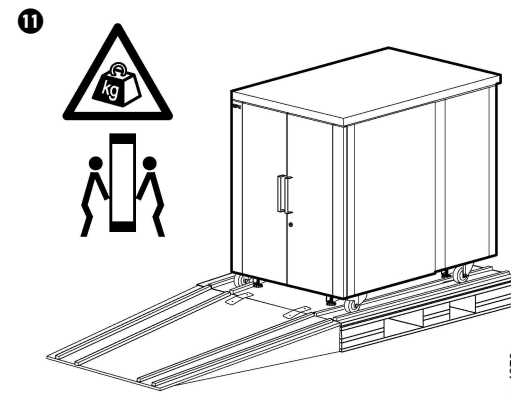
⚠ WARNING

HEAVY EQUIPMENT/TIP HAZARD

- The rack is easily tipped. Use caution when unpacking or moving.
- At least two people are required to unpack the rack.
- Make sure the leveling feet are up and push the rack only from the front or rear when moving it on its casters. Never push the rack from the sides.
- Wear appropriate personal protective equipment (PPE) and follow safe work practices.

Failure to follow these instructions can result in death or serious injury.

11. With the doors closed and using at least two people, roll the rack down the ramp.

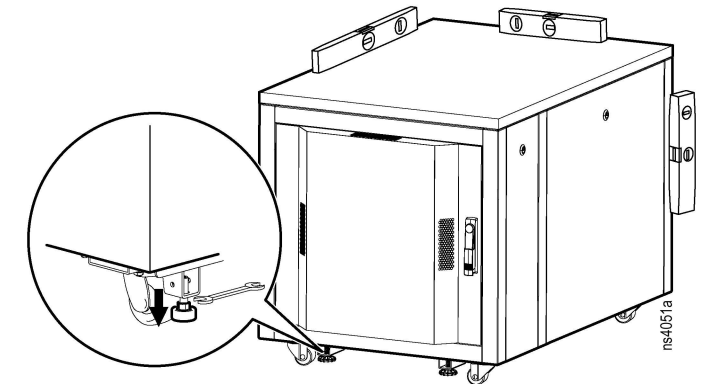


Level the Rack

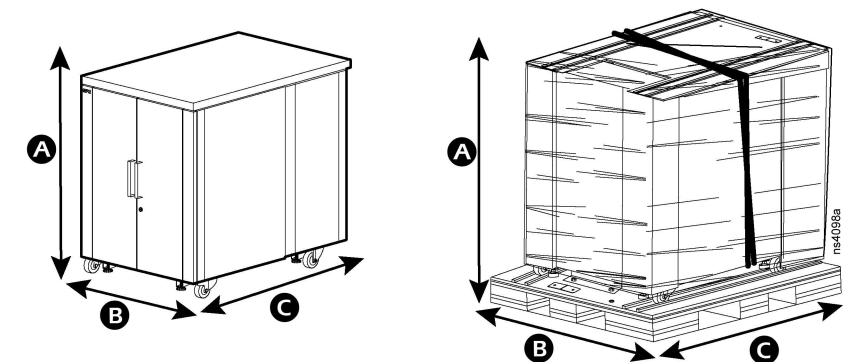
NOTICE

Install the rack on a relatively flat surface. An uneven floor may cause stability issues. The leveling feet are limited in the extent they can compensate for an uneven floor.

Lower the leveling feet with a 19-mm open-ended wrench and use a level to ensure the rack is level and plumb.



Specifications



	AR4012A	AR4017A, AR4017IA
A Height - mm (in)		
Rack only	782 (30.78)	1002 (39.5)
Rack With Packaging	1025 (40.35)	1245 (49.01)
B Width - mm (in)		
Rack only	750 (29.52)	
Rack With Packaging	850 (33.46)	
C Depth - mm (in)		
Rack only	1130 (44.48)	
Rack With Packaging	1245 (49.01)	
Weight - kg (lb)		
Rack only	114 (251.32)	144 (317.746)
Rack With Packaging	158 (348.33)	185 (414.46)
Compliance	UL 2416, UL 62368, EMC, FCC/ICES	
Safety verification	RoHS and Reach	
Environmental		