

Symmetra[®] LX Start-Up Guide Extended Run Cabinets

For use with Symmetra LX UPS models:

200V, 4–8 kVA	200V, 4–16 kVA
208/240V, 4–8 kVA	208/240V, 4–16 kVA
220/230/240V, 4–8 kVA	220/230/240V, 4–16 kVA

READ FIRST

Important Safety and Installation Instructions

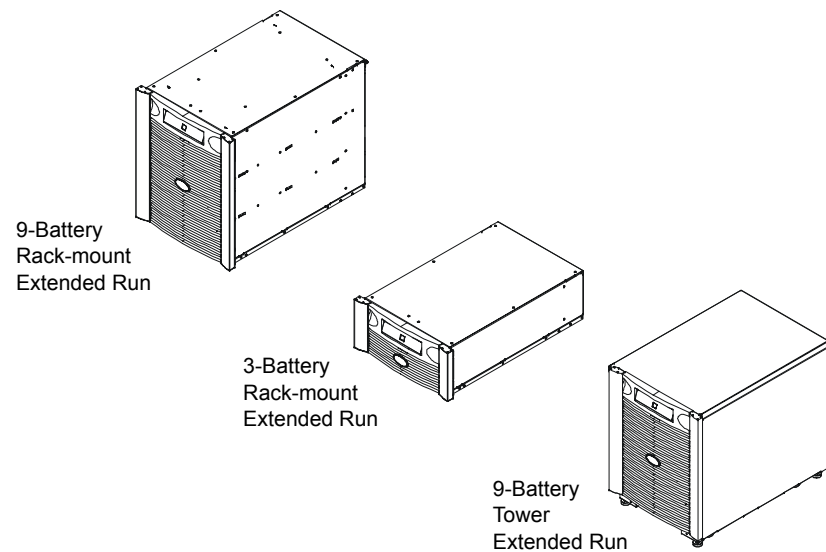
This guide is applicable for the Symmetra LX tower and rack-mount extended run cabinet models. These units provide extended run time for the Symmetra LX tower or rack-mount UPS models.

See and retain the product documentation shipped with your system for other important installation, operation, and maintenance instructions.

Illustrations are representative. The Symmetra LX configuration, including components and optional APC equipment, may be different from the models shown in this guide.

Entire contents copyright 2005 by American Power Conversion Corporation. All rights reserved. Reproduction in whole or in part without permission is prohibited.

APC, the APC logo, InfraStruXure, PowerChute, Smart-UPS and Symmetra are registered trademarks of American Power Conversion Corporation. All other trademarks are the property of their respective owners.



Overview

1. Read Safety and General Information Instructions



Electrical Hazard

- Read, understand and follow ALL safety instructions contained in the *Symmetra LX Safety Instructions and General Information Guide*.
- Failure to follow safety instructions and warnings could result in equipment damage, serious injury, or death.

2. Refer to the UPS Documentation

If installing the Symmetra LX and the Extended Run Cabinet(s), install according to the instructions in the *Symmetra LX Start-Up Guide* shipped with the UPS.

3. Install the Extended Run Cabinet(s)

Perform the physical installation for the extended run cabinet(s). See the included *Symmetra LX Physical Installation Guide*.

4. Follow the preceding Start-Up Instructions

See these instructions once the physical installation for the Extended Run Cabinet(s) is complete. This section contains information on how to connect, test, and start the unit.

Start-Up Instructions



Note

The illustrations shown in this section are applicable for the tower and rack-mount extended run cabinets.

1. Connect the first Extended Run Cabinet

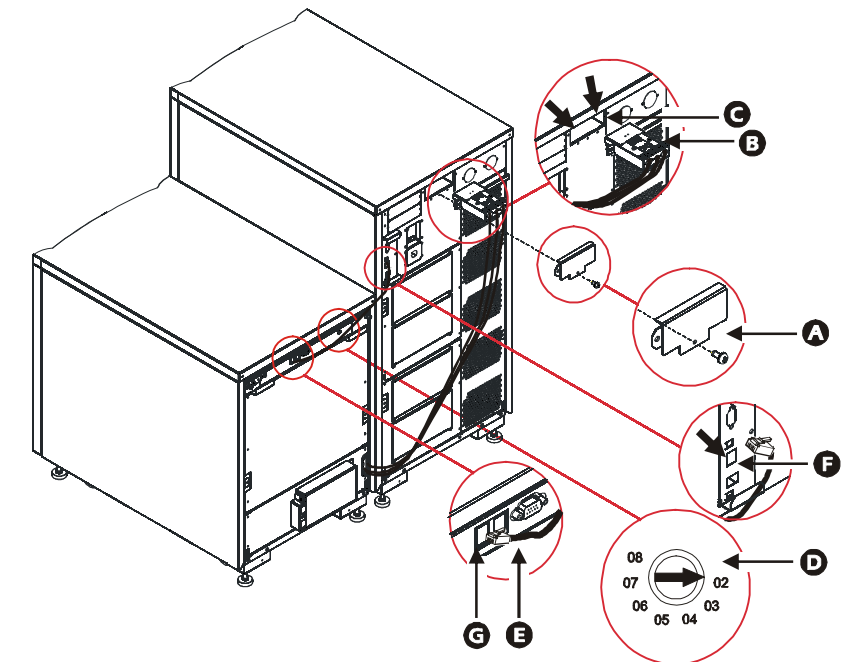
- 1.1 Remove the screw and battery connector cover (A) from the back of the UPS.
- 1.2 Connect the power cable (B) of the first extended run cabinet to the UPS battery connector (C).
- 1.3 Set the dial (D) of the extended run cabinet to '2'.



Note

If connecting to a UPS with integrated extended run, set the dial of the first extended run cabinet to '3' instead of '2'.

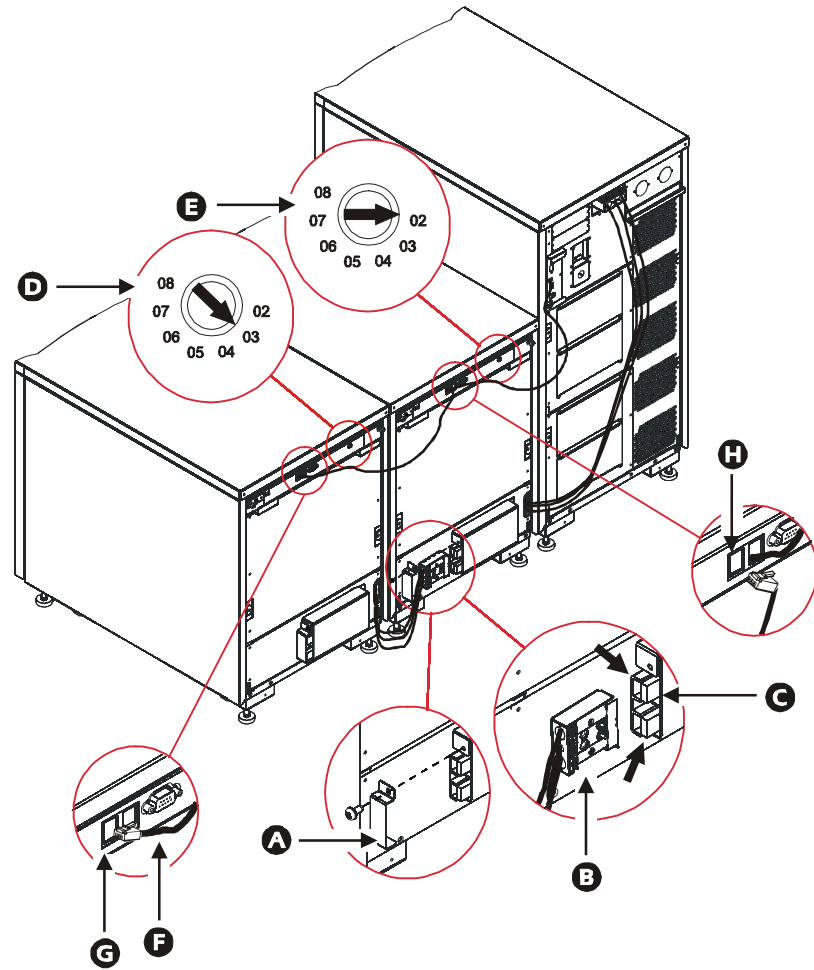
- 1.4 Connect the communications cable (E) from the extended run communications connector on the UPS (F) to the connector on the extended run cabinet (G).



2. Connect additional Extended Run Cabinets

Connect each additional extended run cabinet to the previously installed cabinet. The Symmetra LX supports a maximum of seven cabinets.

- 2.1 Remove the screw and UPS battery connector panel (A) from the previously installed cabinet.
- 2.2 Connect the power cable (B) from the new cabinet into the battery connector (C) of the previous cabinet.
- 2.3 Set the dial (D) of the new cabinet to a number that is one higher than that of the previous cabinet (E).
- 2.4 Connect the communications cable (F) from the communications connector of the new cabinet (G) to that of the previous cabinet (H).



3. Verify Connection



Note

- To verify the connection, the UPS must be on. For further information, see the *Symmetra LX Start-Up Guide*.
- Messages regarding battery quantity may be visible on the UPS PowerView display.

- 3.1 Check that the green status light on the rear of each cabinet will light.
- 3.2 Check that the front display shows the correct dial number.
- 3.3 Refer to the status menu on the UPS PowerView display (see the *Symmetra LX Operations Guide*) to verify that the number of battery modules matches the total number of battery modules installed in the UPS and all extended run cabinets. Also, verify there are no bad battery modules present.

Troubleshooting		
It is assumed that the Symmetra LX is powered and functioning during these startup procedures. If the problem persists, call technical support. Visit the the APC website at http://www.apc.com/support for contact information.		
Problem	Possible Cause	Solution
The green status LED (rear of frame), and the front display (front of frame) do not light after the communication cable is installed.	There is no battery power present at the frame.	Check that the battery cable and battery modules are properly installed.
	The communication cable is not installed	Check that the communication cable is properly installed.
The green status LED lights, but the front display does not show the frame number.	The display cable is not connected.	See the <i>Extended Run Cabinet Physical Installation Guide</i> for proper cable connection instruction.
	There is a potential hardware failure.	Call technical support.
The front display continuously flashes on and off.	More than one frame is set with the same frame number.	Check that frame numbers are not duplicated on the communication card(s).
An "XR frame failure" is reported. The front display flashes an error code.	The "E_O" frame error code may indicate that the battery cable is not installed.	Check that the battery cable is properly installed. If the error code continues to flash, call technical support.
	The "E_7" frame error code may indicate that the communication cable is not installed	Check that the communication cable is properly installed. If the error code continues, call technical support.
	All other LED error codes could indicate a potential hardware failure.	Call technical support and report the error code.
The front display alternately flashes the frame number and either "Lx", "Cx", or "Rx".	A failed battery module has been detected in the location displayed.	Replace the battery module. To obtain a replacement battery, see the APC website.
The number of battery modules reported is inaccurate.	One or more battery module disconnect switches are off (opened).	Check that the disconnect switch on all modules is closed (counter-clockwise).
	Battery modules are not installed correctly.	Check that all battery modules are properly installed in the extended run frame(s).