

## 19" Rotating Keyboard Drawer—AR8127

### Overview

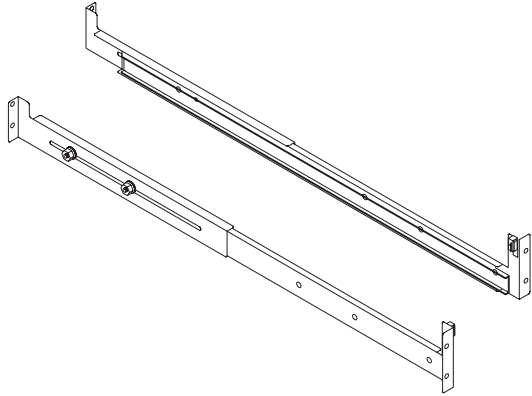
The 19" Rotating Keyboard Drawer (AR8127) allows you to use a standard 19-inch keyboard in an American Power Conversion (APC) NetShelter enclosure. The Keyboard Drawer:

- Occupies only 2U of rack space
- Slides outward for access to a keyboard and mouse
- Has a rotating keyboard tray which allows a 19-inch keyboard to swivel into working position in a NetShelter enclosure
- Contains a convenient sliding mouse compartment
- Has adjustable rails (28–40 in.)
- Is ready for use with the APC Cable Management Arm (AR8129)
- Comes with wrist rest and mouse pad

### Inventory

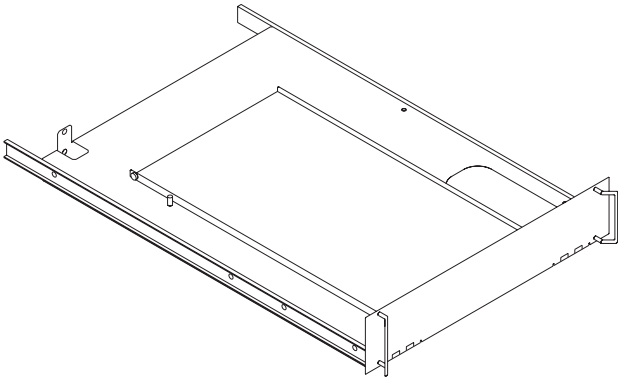
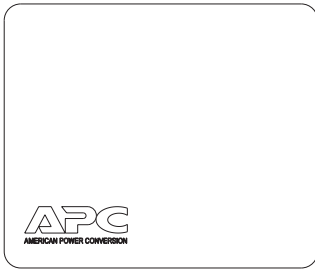
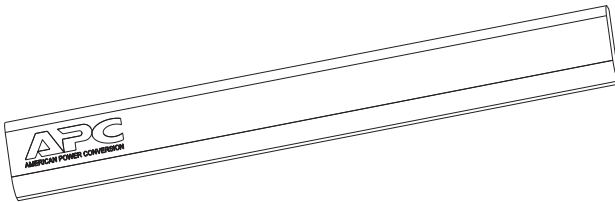
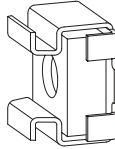
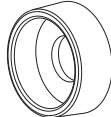
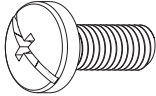
Table 1 shows the parts that are included in the Keyboard Drawer.

**Table 1: Inventory of APC 19" Rotating Keyboard Drawer (AR8127)**

Item	Quantity	Figure
Mounting Rail (Left/Right)	2	



**Table 1: Inventory of APC 19" Rotating Keyboard Drawer (AR8127)**

Item	Quantity	Figure
Shelf Assembly	1	
Mouse Pad	1	
Wrist Rest	1	
M6 Caged Nut	8	
M6 Plastic Cup Washer	8	
M6 × 16 mm Pan Head Slotted/Phillips Screw	8	

**Tools Required**

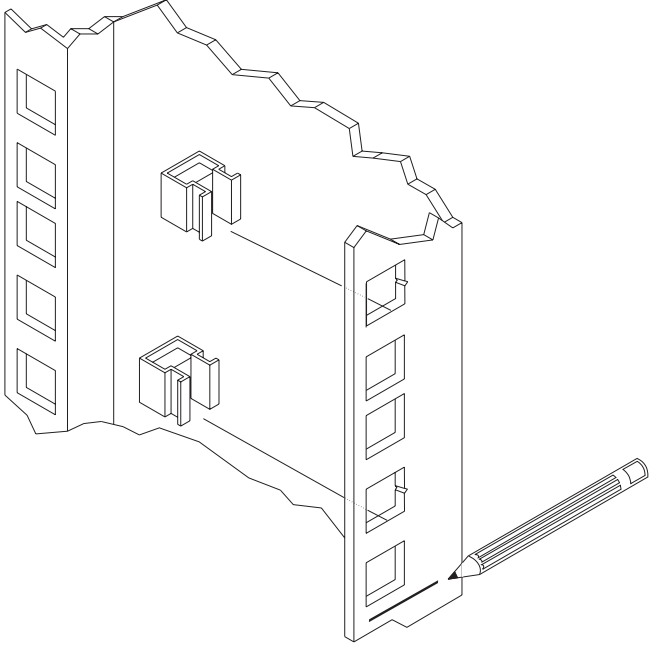
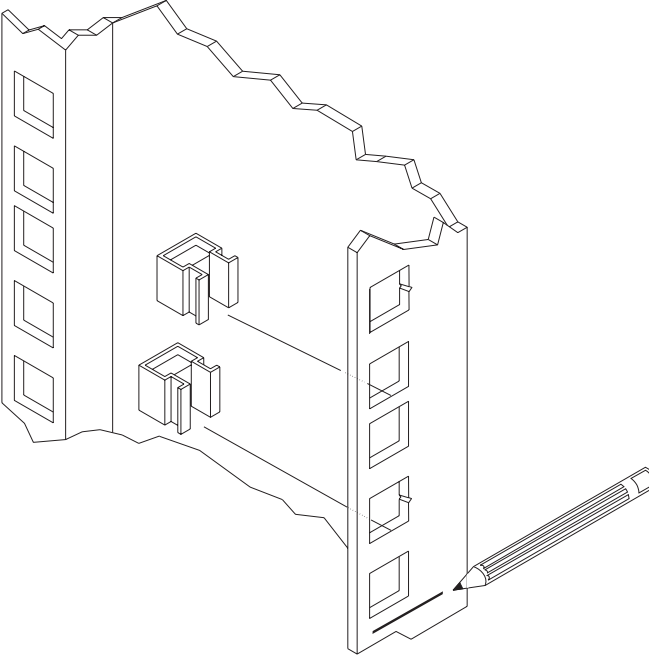
To install the Keyboard Drawer, you will need the following hand tools:

- Screwdriver (flat head)
- Pencil

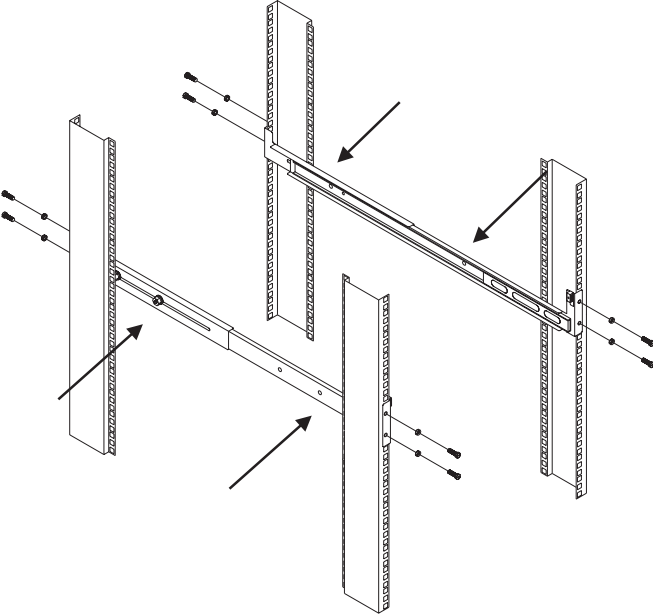
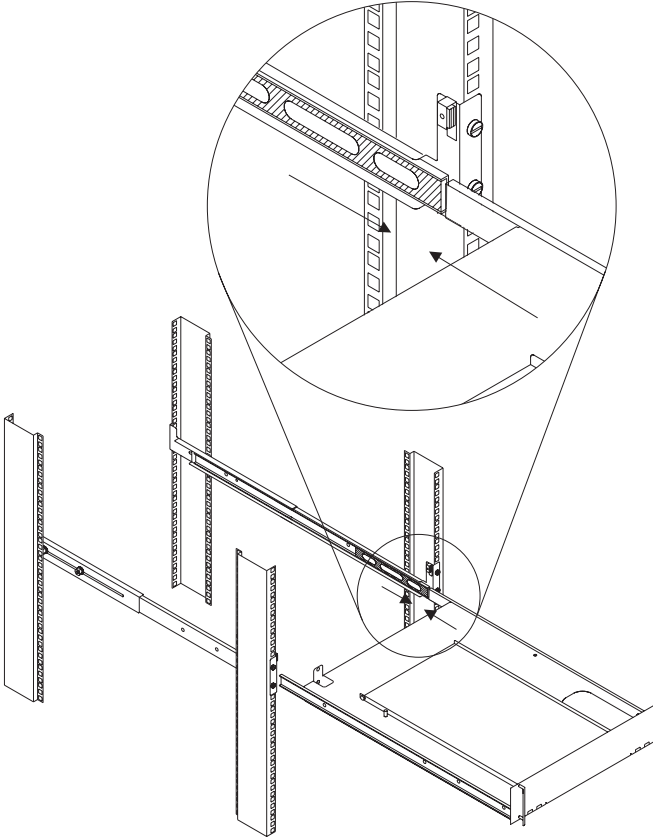
## Mounting Instructions

To install the Keyboard Drawer into an APC NetShelter enclosure, follow the steps in Table 2 below.

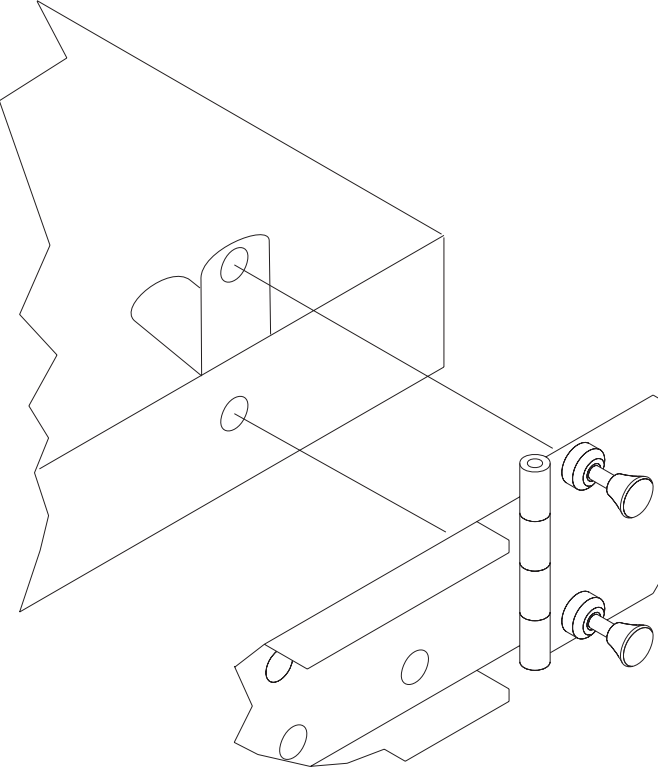
**Table 2: Keyboard Drawer Mounting Instructions**

Step	Action	Figure
1	<p>Choose the location for the Keyboard Drawer on the vertical mounting rails of the enclosure—about waist-high. Using a pencil, mark the bottom of the lower U space at which the slide rails will attach to each of the four vertical mounting rails. (One U consists of a notched mounting hole and one hole immediately above and below it.)</p>	
2	<p>On the front vertical mounting rails of the enclosure, install caged nuts in the middle (notched) mounting holes of the U chosen in Step 1.</p> <p><b>Caution:</b> Install the caged nuts horizontally, as pictured; that is, the ears of each caged nut should engage the sides of the mounting hole.</p>	
3	<p>On a rear vertical mounting rail, install a caged nut in the middle (notched) mounting hole of the lower U chosen in Step 1. Install a caged nut in the second mounting hole above the first caged nut. Repeat Step 3 for the other rear vertical mounting rail.</p>	

**Table 2: Keyboard Drawer Mounting Instructions**

Step	Action	Figure
4	<p>Mount the slide rails with the magnets facing the front of the enclosure. Align the holes with the caged nuts installed in Steps 2 and 3. Apply pressure inward on both ends of each rail as you fasten them with the screws and cup washers provided.</p> <p><i>Note: If you have changed the distance between the front and rear vertical mounting rails of the enclosure, you must first adjust the length of the Keyboard Drawer rails to match this distance. To adjust the Keyboard Drawer rails, loosen the 3/8" nuts, adjust the length, and retighten.</i></p>	
5	<p>Attach the keyboard shelf to the mounting rails. First slide the movable portion of each mounting rail to the front. Fit the rails of the shelf assembly into the grooves on the mounting rails. The movable portion of the mounting rails should engage the rails of the shelf assembly.</p> <p><i>Note: If the shelf does not slide smoothly and evenly, it has not correctly engaged the movable portion of the mounting rails. Remove the shelf and repeat Step 5.</i></p> <p><i>To remove the shelf, locate the small plastic levers along the side of the shelf assembly. While lifting the left lever and lowering the right lever, pull the shelf assembly away from the mounting rails.</i></p>	
6	<p>Relieve tension on the Keyboard Drawer by loosening the eight screws fastened in Step 4. Retighten.</p>	

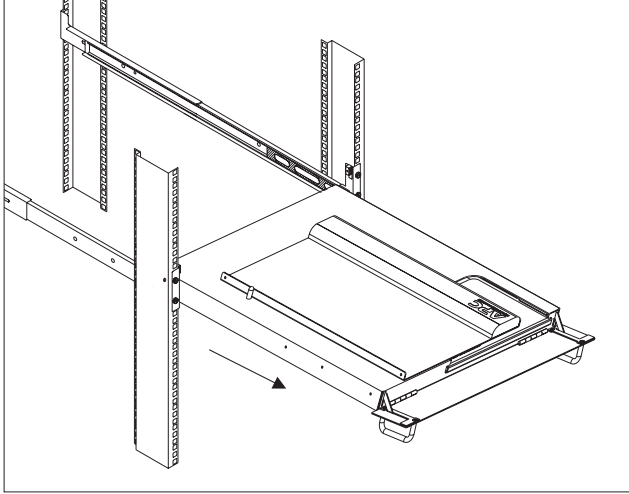
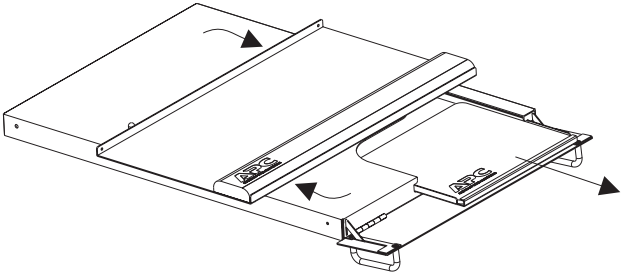
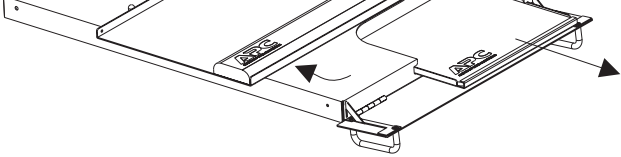
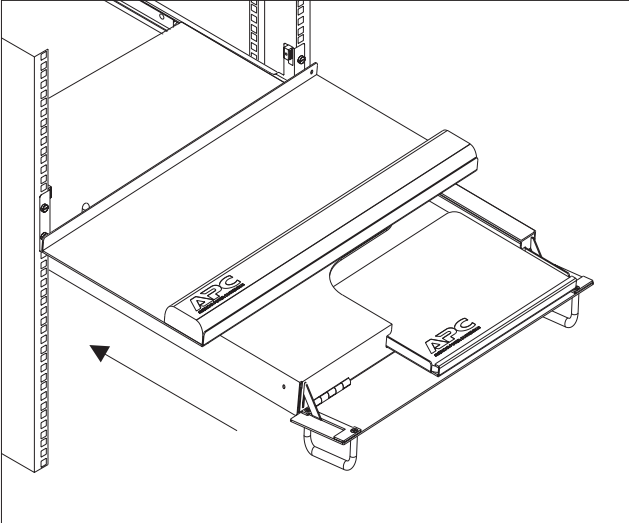
**Table 2: Keyboard Drawer Mounting Instructions**

Step	Action	Figure
7	Install the mouse on top of the mouse pad. Thread the cable under the top panel of the shelf and through the hole on the right rear of the shelf.	
8	Install the keyboard, facing to the right, on the rotating keyboard tray. Thread the cable through the plastic clip centered at the rear of the shelf.	
9	<p>If you are installing the Cable Management Arm (AR8129):</p> <p>Align the plungers on the Cable Management Arm with the holes on the flange at the left rear of the Keyboard Drawer. Push the plungers inward.</p> <p>Fasten the other end of the Cable Management Arm to the vertical mounting rail according to the instructions supplied with AR8129.</p> <p><i>Note: You will be using the same screws that were used in Step 4 to attach both Keyboard Drawer and Cable Management Arm to the enclosure.</i></p>	

## Operation

To operate the Keyboard Drawer, refer to the steps in Table 3 below.

**Table 3: Keyboard Drawer Operation**

Step	Action	Figure
1	Pull the shelf outward by both handles until fully extended from the enclosure. Leave the front panel (with handles) in its down position.	
2	Swivel the keyboard tray ¼ turn clockwise until it rests against the stop.	
3	Pull the mouse tray outward until fully extended.	
4	Push the entire drawer inward until the keyboard tray rests against the vertical mounting rails of the NetShelter.	
5	When finished, reverse Steps 1–4.	